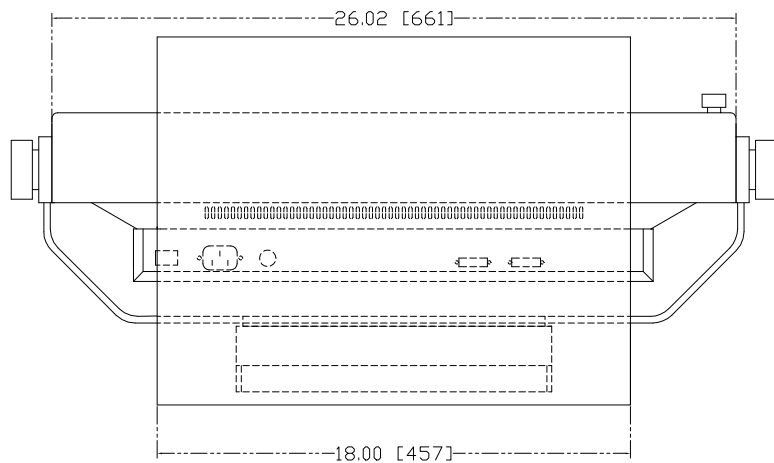
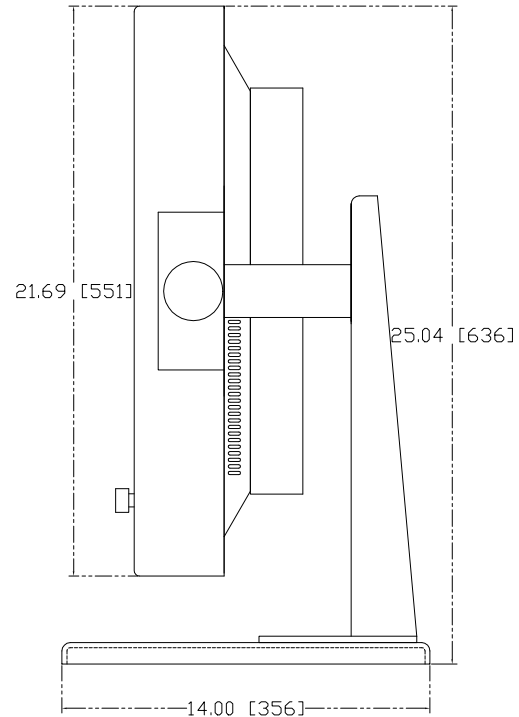
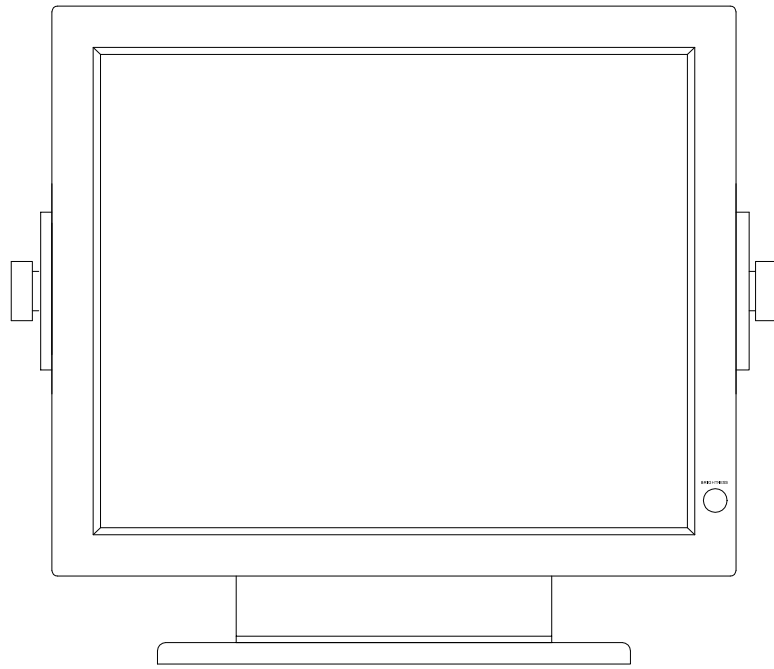


REVISIONS			
LTR	DESCRIPTION	DATE	APP
A			



EDL DISPLAYS INC. 1300 Research Park Dr. Dayton, Ohio 45432			
TITLE LCD 30283 Desktop TMDS Outline Drawing			
SIZE	CAGE CODE	DWG NO.	REV
B	0YRL4	30283 DT T	
SCALE	RELEASE DATE	SHEET	OF
	2/01/04	1	1