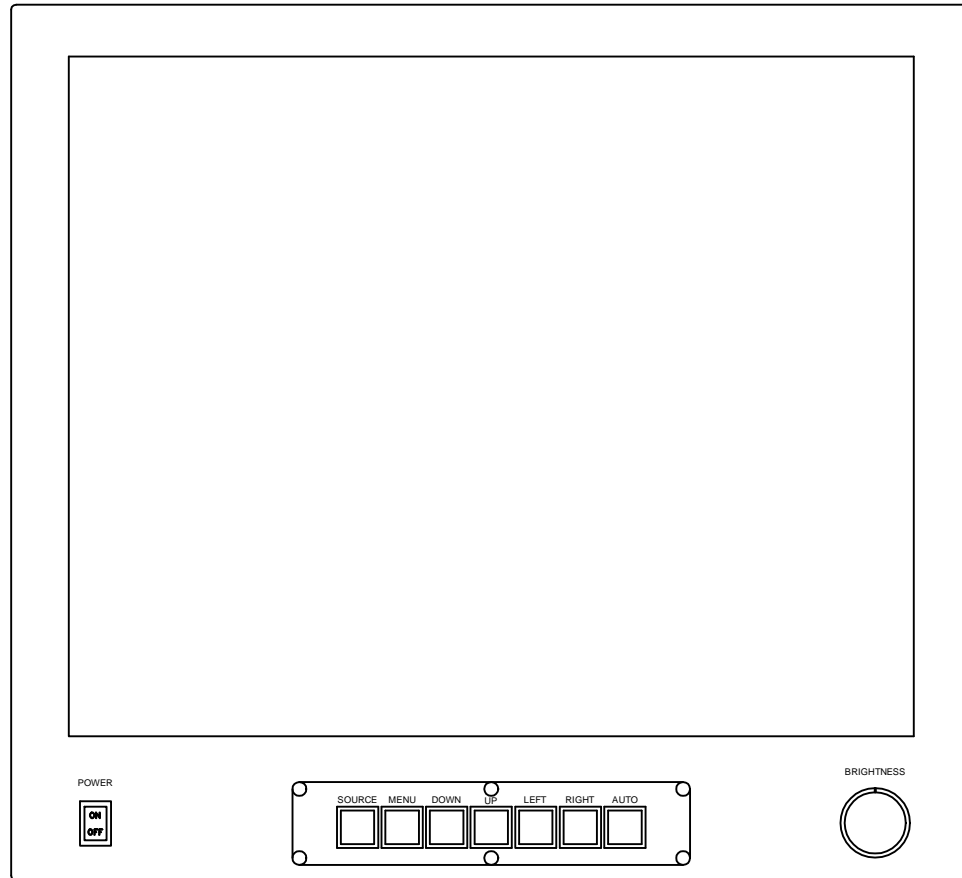
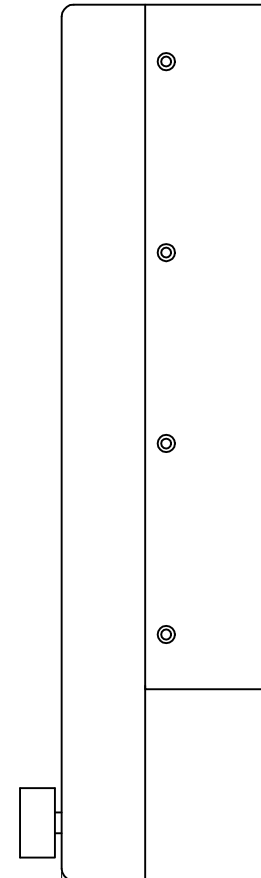


REVISIONS				
ZONE	LTR	DESCRIPTION	DATE	APPROVED

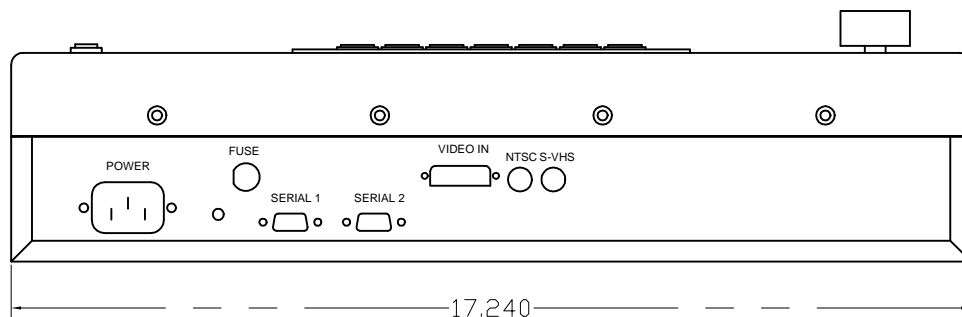


15.735



100mm VESA Mtg

3.438



3.750

17.240

EDL DISPLAYS INC. 1300 Research Park Dr. Dayton, Ohio 45432			
TITLE LCD 3019 Standard Unit			
SIZE B	CAGE CODE OYRL4	DWG NO. 3019 Outline	REV IR
SCALE	RELEASE DATE 12/12/2002	SHEET 1	OF 1